



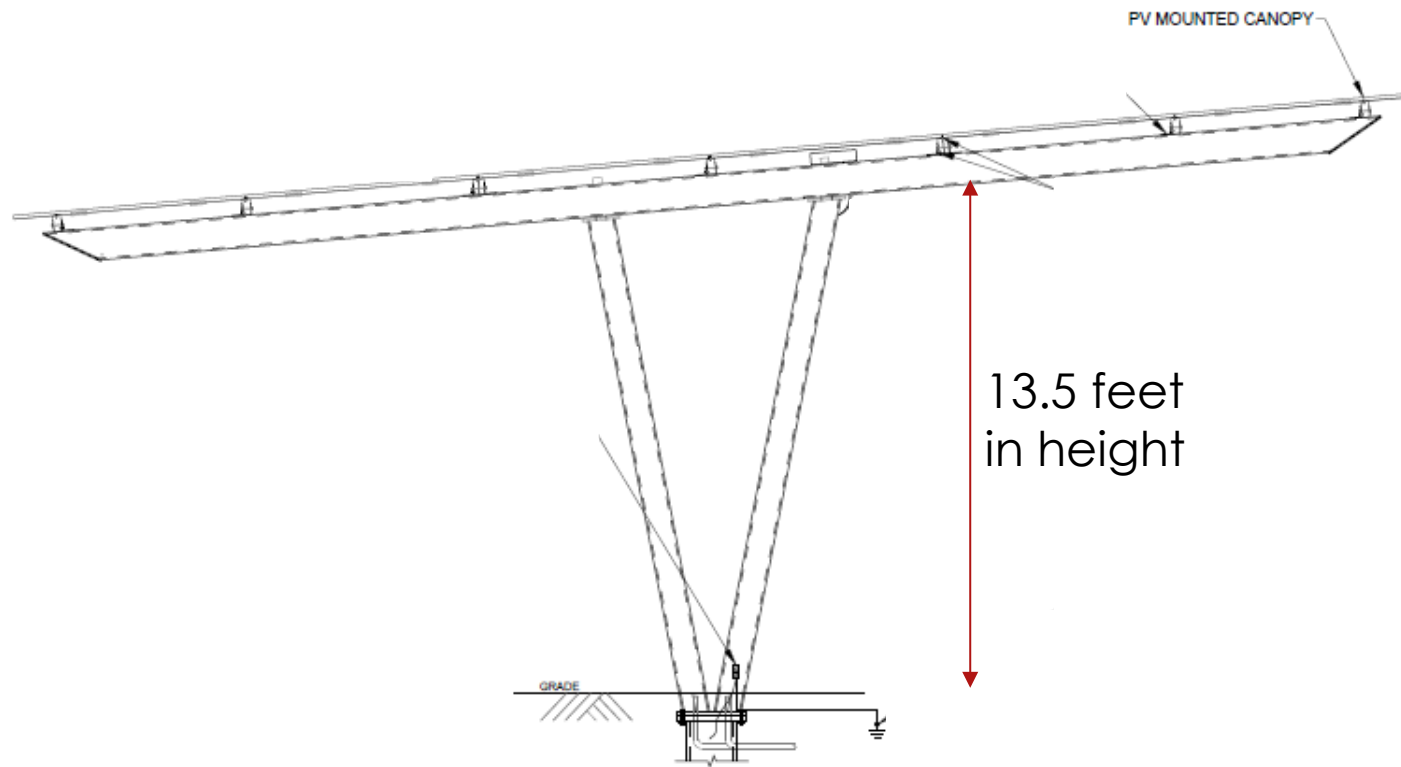
TESLA SUPERCHARGER DR-26-01 475 N. HUMBOLDT AVE.

PLANNING COMMISSION HEARING

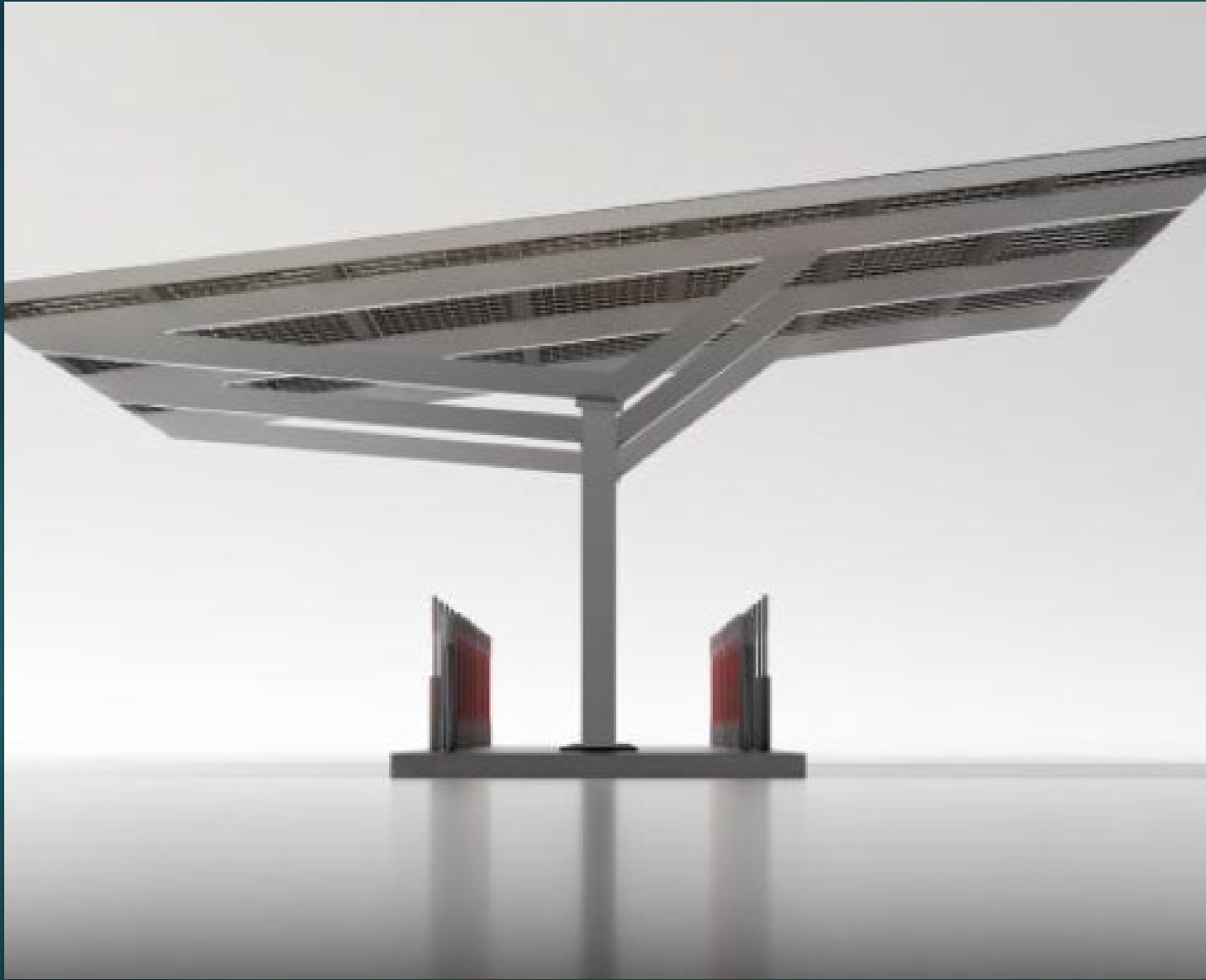
APRIL 7, 2026



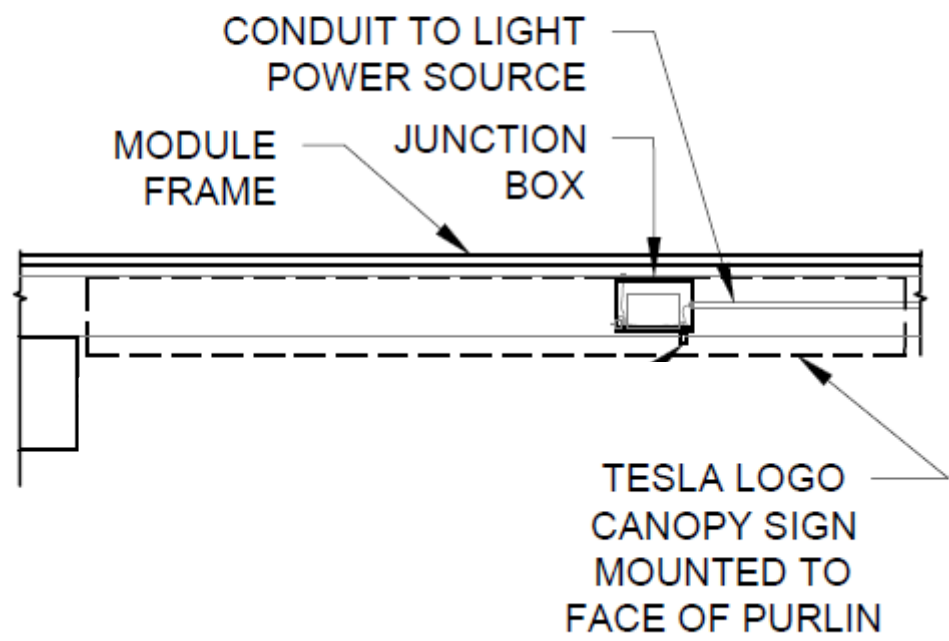
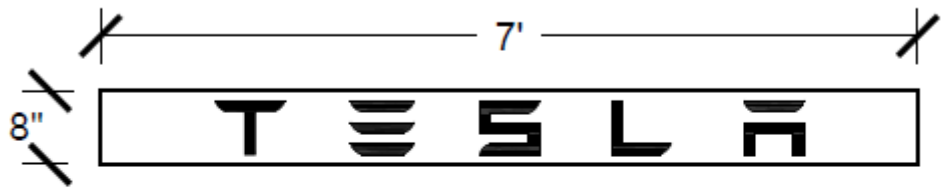
Site Location



Canopies



Canopies



Signage



Amenity Building

- ▶ Staff recommends approval of the Design Review request, DR-26-01, and adoption of the resolution included in the staff report.

Staff
Recommendation